



CALIFORNIA DYNAMICS CORPORATION  
 5572 ALHAMBRA AVE.  
 LOS ANGELES, CA. 90032-3106

CALL US - TO SET THINGS RIGHT

FAX (323) 223 - 7941

PH (323) 223 - 3882

email: caldyn@earthlink.net

TYPE MJ  
 (SIZES D & E)  
 RUGGED DUTY  
 MARINE ISOLATORS

FILE 414

10/30/03

JOB: \_\_\_\_\_

CUST: \_\_\_\_\_

ENG'R: \_\_\_\_\_

TAG: \_\_\_\_\_

DATE: \_\_\_\_\_

## SHOCK PROTECTION AND VIBRATION ISOLATION

Steel compression springs rated up to 7840 lbs. per mount.

### SHOCK PROTECTION VIBRATION ISOLATION

Punch Presses  
 Shears  
 Hammer Mills  
 Rock Crushers  
 Mud Pumps  
 Drilling Derricks

Centrifugal Filters  
 Generator Sets  
 Shakers Screens  
 Pebble Mills

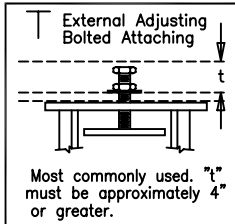
### DIMENSIONS (Inches)

Size	P	K	J	M	H <sub>F</sub>	H <sub>O</sub>
D	11	9½	1¼	5/8-NC	5½	6
E	14¾	13	1¼	¾-NC	7½	7½

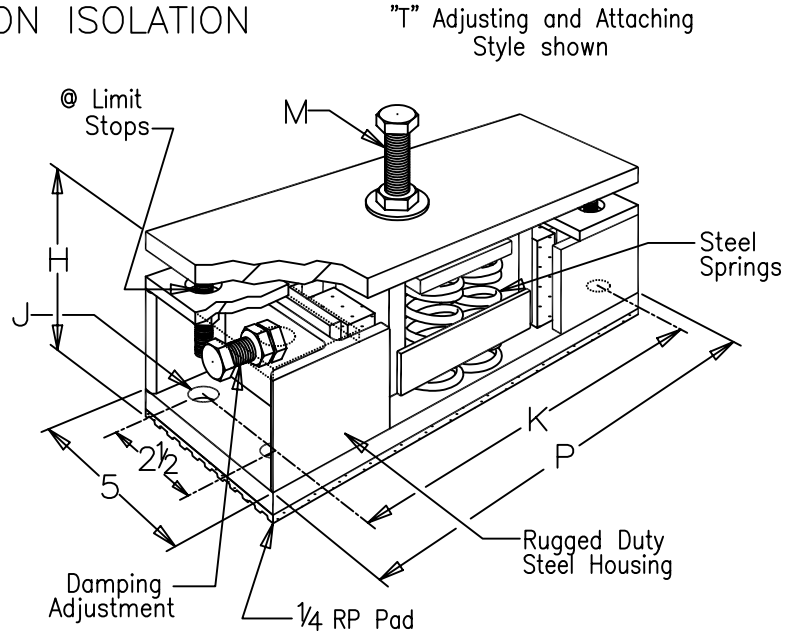
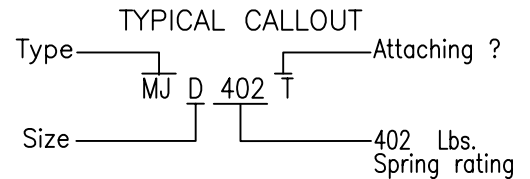
H<sub>F</sub> Minimum Free Height

H<sub>O</sub> Operating Height

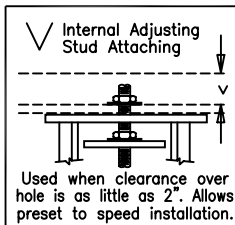
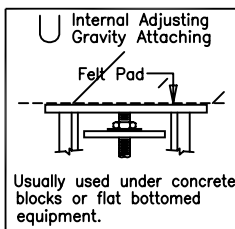
### ADJUSTING & ATTACHING STYLES



Ⓞ Limit Stops provide protection for drainage, wind and seismic that may be adequate dependent on equipment and requirement. Contact CalDYN for verification.



Not available style U and V for size D



2 SPRINGS			4 SPRINGS		
Mount No.	Max. Load (Lbs)	Spring Rate (Lbs/in)	Mount No.	Max. Load (Lbs)	Spring Rate (Lbs/in)
MJD 310 ?	2 . 00	152	MJE 804 ?	1 . 70	472
MJD 402 ?	1 . 70	236	MJE 976 ?	1 . 13	864
MJD 488 ?	1 . 13	432	MJE 1184 ?	1 . 60	740
MJD 592 ?	1 . 60	370			
MJD 636 ?	1 . 13	562	MJE 1272 ?	1 . 13	1124
MJD 790 ?	1 . 80	440	MJE 1580 ?	1 . 80	880
MJD 1022 ?	1 . 50	682	MJE 2044 ?	1 . 50	1364
MJD 1430 ?	1 . 30	1100	MJE 2860 ?	1 . 30	2200
MJD 2120 ?	1 . 00	4240	MJE 4240 ?	1 . 00	4240
MJD 3040 ?	. 78	3900	MJE 6080 ?	. 78	7800
MJD 3920 ?	. 78	5030	MJE 7840 ?	. 78	10060