



CALIFORNIA DYNAMICS CORPORATION  
 5572 ALHAMBRA AVE.  
 LOS ANGELES, CA. 90032-3106

CALL US - TO SET THINGS RIGHT

FAX (323) 223 - 7941

PH (323) 223 - 3882

email: caldyn@earthlink.net

TYPE GENX

SPRING ISOLATOR  
 HIGH PROTECTION  
 SEISMIC DESIGN

FILE 534

10/22/01

JOB: \_\_\_\_\_

CUST: \_\_\_\_\_

ENG'R: \_\_\_\_\_

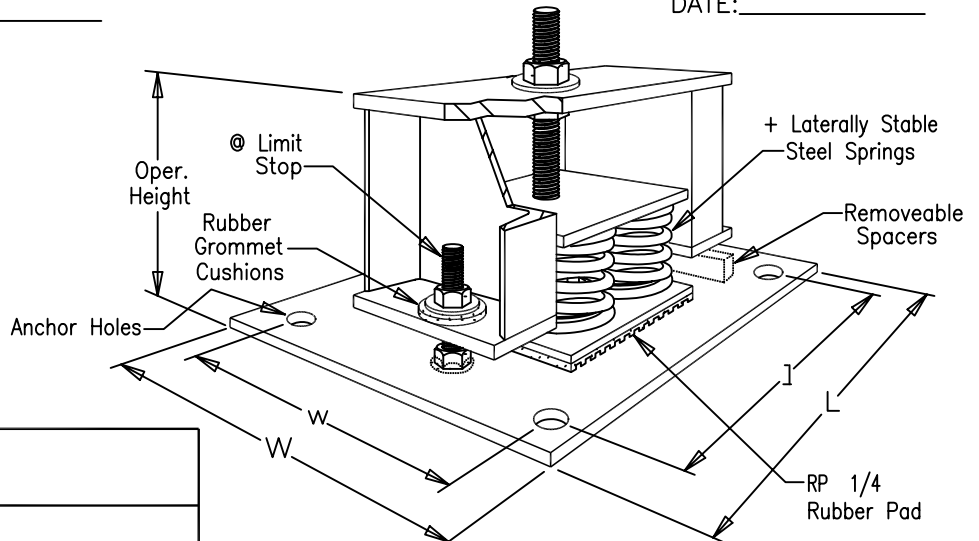
TAG: \_\_\_\_\_

DEF'L: \_\_\_\_\_

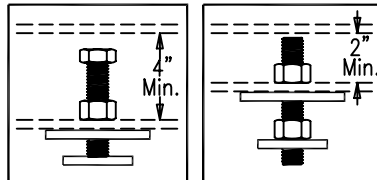
DATE: \_\_\_\_\_

Isolator Selection & Loc.





ATTACHING AND LOAD TRANSFER STYLES  
 Style T External      Style V Internal



Not available in 3" or 4" Deflections

+ The ratio of spring diameter to its height at rated deflection is not under .8 and extra deflection is not less than 50%.

© Limit Stops provide protection for drainage, wind and seismic that may be adequate dependent on equipment and requirement. Contact CalDyn for assistance.

\* Oper. Height is ± 10% of operating height. Contact CalDyn if closer accuracy is needed.

1 Inch Deflection			
GENX Product Ratings	W x L w - l		* Oper. Height
E424, E572, E748			4 - 1/2
E976			4 - 3/4
E1272, E1660	10-1/2 x 12		5
E2000, E2532, E3204	9 - 10		5 - 1/2
E3735, E4500			6
E5697, E7209			6 - 1/4

2 Inch Deflection			
GENX Product Ratings	W x L w - l		* Oper. Height
F332, F480, F620			6 - 1/4
F780, F944			6 - 1/2
F1392, F1988	10-1/2 x 12		7 - 1/4
F2360, F2704, F3300, F3672	9 - 10		7 - 1/2
F4056, F4950, F5508			8

3 Inch Deflection			
GENX Product Ratings	W x L w - l		* Oper. Height
G426, G606			8 - 1/4
G853, G1223	10-1/2 x 12		9 - 3/4
G1706, G2446	9 - 10		10
G3412, G4892	10-1/2 x 14		10 - 1/2

4 Inch Deflection			
GENX Product Ratings	W x L w - l		* Oper. Height
H442	10-1/2 x 12		9 - 1/2
H624, H883	9 - 10		11 - 1/2
H1248, H1766	12 x 12		12 - 1/4
H2496, H3532	14 x 18		12 - 1/2