



CALIFORNIA DYNAMICS CORPORATION

5572 ALHAMBRA AVE.  
LOS ANGELES, CA. 90032-3106

CALL US - TO SET THINGS RIGHT

FAX (323) 223 - 7941

PH (323) 223 - 3882

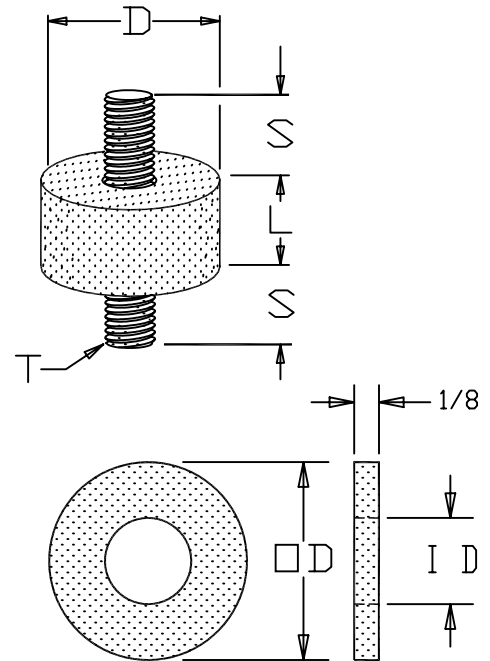
email: caldyn@earthlink.net

TYPE KT  
RUBBER  
MOUNTS & GROMMETS

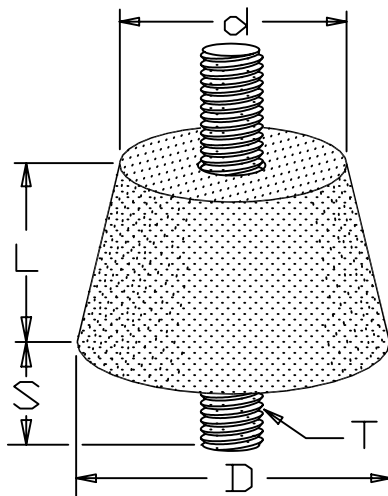
FILE 502

6/08/05

PART NUMBER	Max. Load Comp	Max. Load Shear	L	D	S	T
KT 243	2-1/4 #	1 #	9/32	1/4	3/16	4 - 40
KT 244	4 #	1 #	7/16	7/16	1/4	6 - 32
KT 245	8 #	2 #	1/2	9/16	3/8	8 - 32
KT 246	18 #	3 #	5/8	3/4	3/8	10 - 32
KT 247 - 3/8	40 #	10 #	3/4	1	3/8	1/4 - 20
KT 247 - 1/2	40 #	10 #	3/4	1	1/2	1/4 - 20
KT 248 - 1/2	35 #	10 #	1	1	1/2	5/16 - 18
KT 248 - 5/8	35 #	10 #	1	1	5/8	5/16 - 18
KT 249	135 #	40 #	1	1-1/2	11/16	5/16 - 24



P/N-Bolt size	I D	O D
KT 305-3/8	7/16	1
KT 305-1/2	9/16	1-3/8
KT 305-5/8	11/16	1-3/4
KT 305-3/4	13/16	2



PART NUMBER	Max. Load Comp	L	d	S	T	D
KT 291	100 #	1	1 - 3/16	5/8	5/16 - 18	1 - 5/8
KT 292	60 #	1 - 1/2	1 - 3/16	5/8	5/16 - 18	1 - 5/8

ALL PRODUCTS SHOWN ARE MANUFACTURED WITH HIGH QUALITY SYNTHETIC RUBBER.

PART NUMBER	I D	O D	MD	L	LOD	LMD
KT 382 A	3/8	1-1/8	11/16	7/16	1/4	3/16
KT 382 B	5/8	1-3/4	7/8	5/8	1/4	3/8

